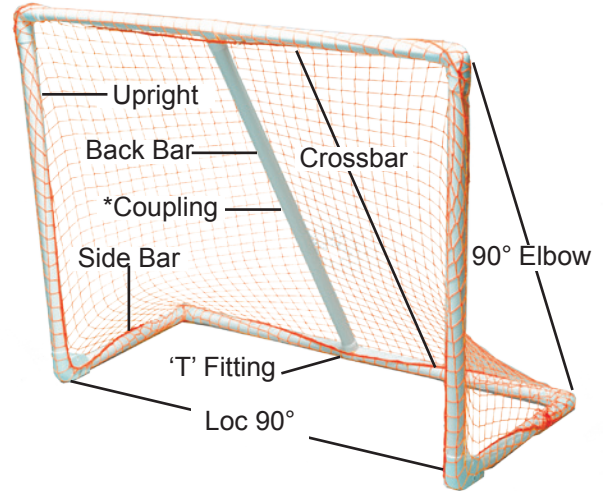




Sports Folding Goal Instructions

Part Description	SGP-643	SGS-STD
Crossbar (a)	4 – 32" PVC	2 – 51" PVC
Upright	2 – 44" PVC	2 – 41" PVC
Side Bars (Pre-drilled)	2 – 32" PVC	2 – 21" PVC
Back Bar	2 – 27-1/2" PVC	1 – 48" PVC
90° Elbows	4	4
'T' Fitting	2	2 Slip 'T'
Loc 90° with hardware	2	2
Coupling	*1	–
Bungee Slip Net	Orange	Yellow
"J"-hook ground anchors (for outdoor use)	2	2



Frame Assembly

Layout all component parts as per diagram.

Crossbar Assembly

SGP-643: Connect two of the 32" sections with a 'T' fitting to make the top crossbar. Repeat steps for bottom crossbar.

SGS-STD: Slide a slip 'T' fitting onto 51" crossbar sections.

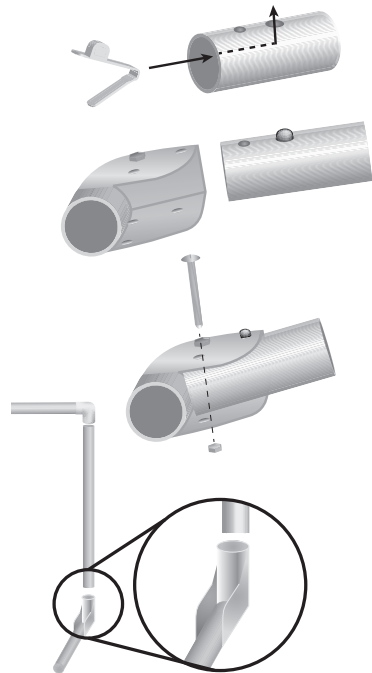
Attach the 2 – upright tube sections to the top crossbar using two 90° elbows.

Attach the Loc 90° fittings onto the pre-drilled side base bars using the hardware provided.

(See Loc 90° assembly instructions.)

Complete the frame assembly by connecting the back support bar, and attaching to the 'T' fitting on the upper and lower crossbars. *Center the back bar for proper support on the SGS-STD model.

Loc 90 Assembly Instructions



Insert the push-button springs into drilled PVC sections (side bars).

Insert the PVC pipe into the Loc 90 and depress the push-button to enable the pipes to be fully inserted into the special elbow. Allow the push-button to snap into the elbow hole as indicated by the arrow.

Insert bolts through the elbow and pipe, Use flat-head screw driver to attach the nuts to each bolt.

See bottom diagram for proper placement of the Loc 90 fitting on the goal.

Depress the push-button spring to collapse the goal.

Bungee Slip Net™



Attach the Bungee Slip Net™ by positioning the top center tape marker at the center of the top crossbar. Stretch net over the lower base crossbar and elbows and stretch the net forward and under the folding Loc fittings. Adjust the net as needed. Use a Velcro tie at each corner to secure the net.

Our PVC goals are designed for flexibility and safety and for use at temperatures between 40° and 100° Fahrenheit. Excessive heat or cold will affect the use of the goal.

Occasionally, the PVC tolerance with the fittings will not be as tight as needed. Wrap masking tape or white sports tape around the end of the PVC tubing and place the fitting over the tape. This will provide a tighter fit.

Remove back bar before collapsing goal.